

# IP3053CX5; IP3053CX10; IP3053CX15; IP3053CX20

Integrated 2, 4, 6 and 8-channel passive EMI-filter network  
with high-level ESD protection to IEC 61000-4-2 level 4

Rev. 01 — 3 May 2010

Product data sheet

## 1. Product profile

---

### 1.1 General description

IP3053CX5, IP3053CX10, IP3053CX15 and IP3053CX20 is a 2, 4, 6 and 8-channel LC low-pass filter array family which is designed to provide filtering of undesired RF signals on the I/O ports of portable communication or computing devices. In addition, IP3053CX5, IP3053CX10, IP3053CX15 and IP3053CX20 incorporates diodes to provide protection to downstream components from ElectroStatic Discharge (ESD) voltages as high as  $\pm 8$  kV according IEC 61000-4-2 level 4.

The devices are fabricated using monolithic silicon technology and integrate and incorporate up to 8 inductors and up to 16 diodes in a 0.5 mm pitch Wafer-Level Chip-Scale Package (WLCSP).

### 1.2 Features and benefits

- Pb-free, RoHS compliant and free of halogen and antimony (Dark Green compliant)
- Integrated 2, 4, 6 and 8-channel  $\pi$ -type LC-filter network
- 18  $\Omega$  channel series resistance;  $\leq 45$  pF (at 2.5 V DC) channel capacitance
- Integrated ESD protection withstanding  $\pm 8$  kV contact discharge
- WLCSP with 0.5 mm pitch

### 1.3 Applications

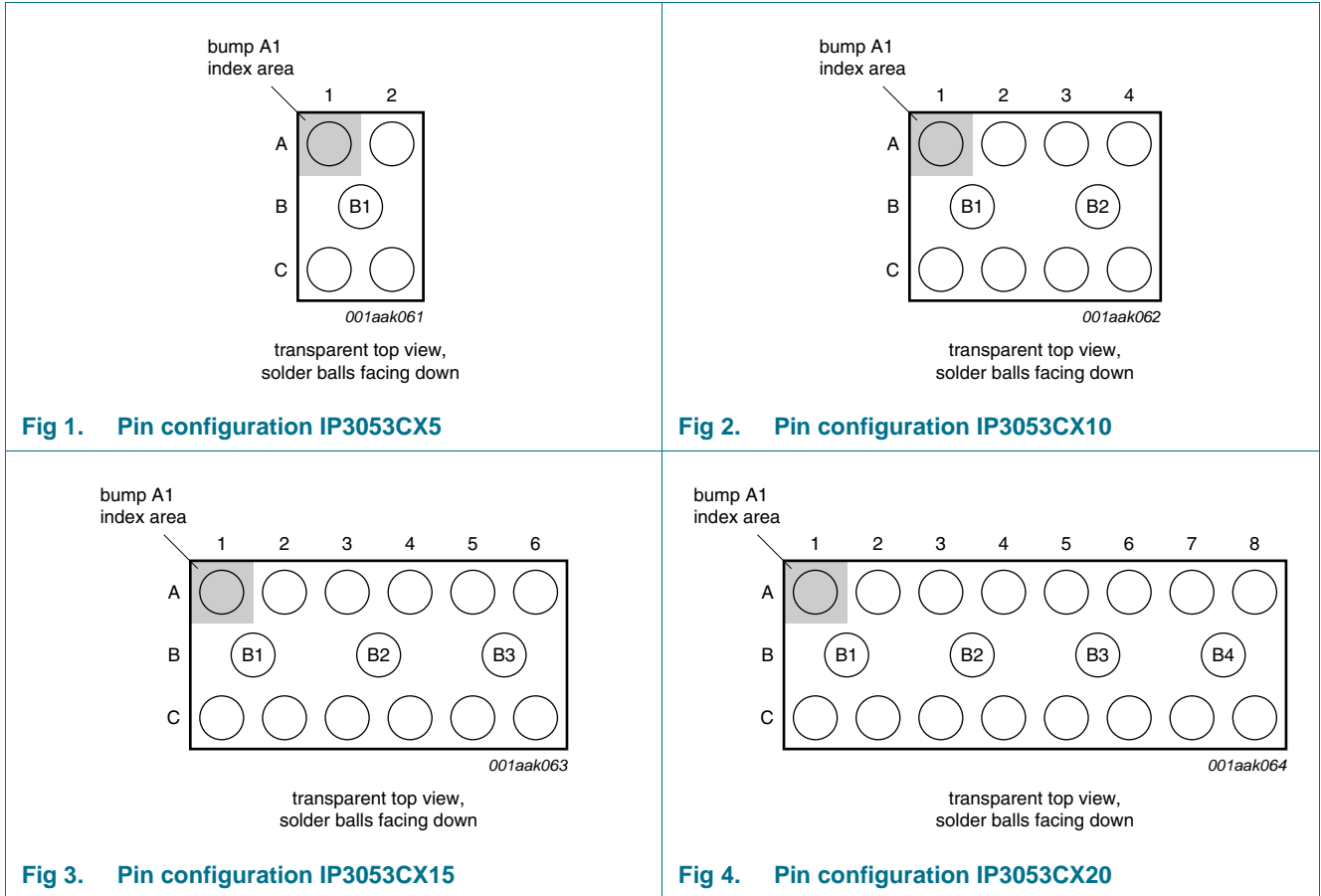
General purpose ElectroMagnetic Interference (EMI) and Radio Frequency Interference (RFI) filtering and downstream ESD protection for:

- Cellular and Personal Communication System (PCS) mobile handsets
- Cordless telephones
- Wireless data (WAN/LAN) systems



## 2. Pinning information

### 2.1 Pinning



### 2.2 Pin description

**Table 1. Pinning**

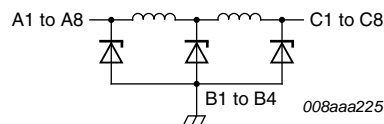
Pin				Description
<b>IP3053CX5</b>	<b>IP3053CX10</b>	<b>IP3053CX15</b>	<b>IP3053CX20</b>	
A1 and C1	A1 and C1	A1 and C1	A1 and C1	filter channel 1
A2 and C2	A2 and C2	A2 and C2	A2 and C2	filter channel 2
-	A3 and C3	A3 and C3	A3 and C3	filter channel 3
-	A4 and C4	A4 and C4	A4 and C4	filter channel 4
-	-	A5 and C5	A5 and C5	filter channel 5
-	-	A6 and C6	A6 and C6	filter channel 6
-	-	-	A7 and C7	filter channel 7
-	-	-	A8 and C8	filter channel 8
B1	B1 and B2	B1, B2 and B3	B1, B2, B3 and B4	ground

### 3. Ordering information

**Table 2. Ordering information**

Type number	Package		Version
	Name	Description	
IP3053CX5	WLCSP5	wafer level chip-size package; 5 bumps (2-1-2)	IP3053CX5
IP3053CX10	WLCSP10	wafer level chip-size package; 10 bumps (4-2-4)	IP3053CX10
IP3053CX15	WLCSP15	wafer level chip-size package; 15 bumps (6-3-6)	IP3053CX15
IP3053CX20	WLCSP20	wafer level chip-size package; 20 bumps (8-4-8)	IP3053CX20

### 4. Functional diagram



**Fig 5. Schematic diagram IP3053CX5; IP3053CX10; IP3053CX15; IP3053CX20**

### 5. Limiting values

**Table 3. Limiting values**

*In accordance with the Absolute Maximum Rating System (IEC 60134).*

Symbol	Parameter	Conditions	Min	Max	Unit
$V_{CC}$	supply voltage		-0.5	+5.6	V
$V_{ESD}$	electrostatic discharge voltage	IEC 61000-4-2 level 4; all pins to ground			
		contact discharge	-8	+8	kV
		air discharge	-15	+15	kV
$I_{ch}$	channel current (DC)	per channel; $T_{amb} = 85\text{ °C}$	-	5	mA
$I_{ch(AC)}$	channel current (AC)	per channel; $T_{amb} = 85\text{ °C}$	-	50	mA
$T_{stg}$	storage temperature		-65	+150	°C
$T_{amb}$	ambient temperature		-40	+85	°C

## 6. Characteristics

**Table 4. Channel characteristics**

$T_{amb} = 25\text{ }^{\circ}\text{C}$ ; unless otherwise specified.

Symbol	Parameter	Conditions	Min	Typ	Max	Unit	
$R_{s(ch)}$	channel series resistance		-	100	-	$\Omega$	
$L_{s(ch)}$	channel series inductance		-	35	-	nH	
$C_{ch}$	channel capacitance	$V_{bias(DC)} = 0\text{ V}$ ; $f = 100\text{ kHz}$	[1]	-	47	-	pF
		$V_{bias(DC)} = 2.5\text{ V}$ ; $f = 100\text{ kHz}$	[1]	-	30	-	pF
$V_{BR}$	breakdown voltage	positive clamp; $I_{test} = 1\text{ mA}$	5.8	-	10	V	
$V_F$	forward voltage	negative clamp; $I_F = -1\text{ mA}$	-1.5	-	-0.4	V	
$I_{LR}$	reverse leakage current	per channel; $V_I = 3.5\text{ V}$	-	-	0.1	$\mu\text{A}$	

[1] Guaranteed by design.

**Table 5. Frequency characteristics**

$T_{amb} = 25\text{ }^{\circ}\text{C}$ ; unless otherwise specified.

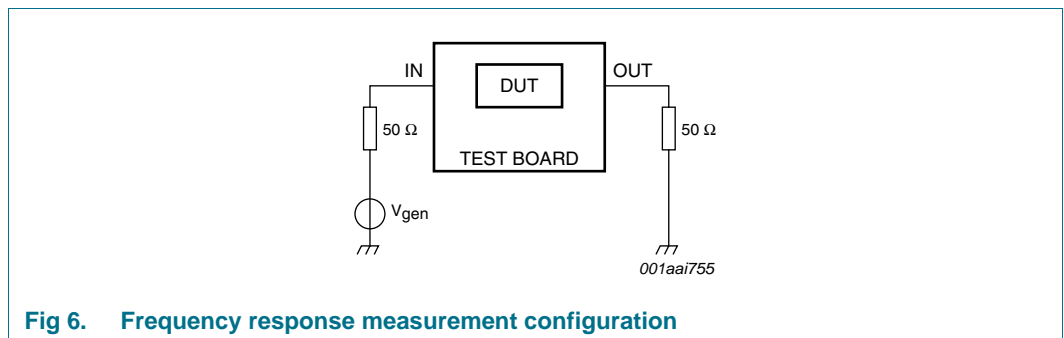
Symbol	Parameter	Conditions	Min	Typ	Max	Unit
$\alpha_{ij}$	insertion loss	$R_{gen} = 50\ \Omega$ ; $R_L = 50\ \Omega$ ; $800\text{ MHz} < f < 3\text{ GHz}$	30	-	-	dB
$f_{-3dB}$	cut-off frequency	$R_{gen} = 50\ \Omega$ ; $R_L = 50\ \Omega$ ; $V_{bias(DC)} = 0\text{ V}$ ; $\alpha_{ij}$ at $1\text{ MHz} - 3\text{ dB}$	-	150	-	MHz

## 7. Application information

### 7.1 Insertion loss

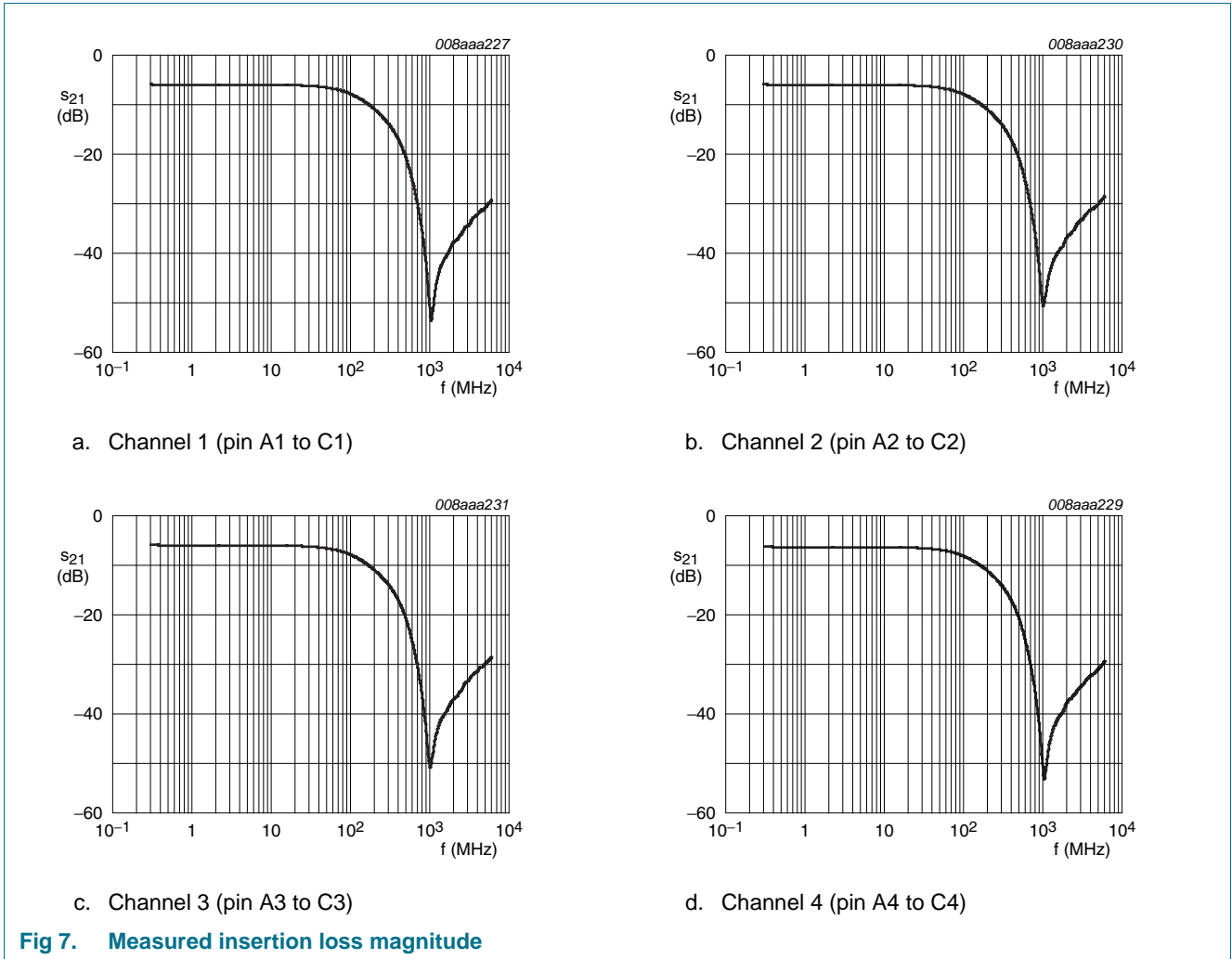
IP3053CX5, IP3053CX10, IP3053CX15 and IP3053CX20 is mainly designed as an EMI and RFI filter for multichannel interfaces.

The setup for measuring insertion loss in a  $50\ \Omega$  system is shown in [Figure 6](#).



**Fig 6. Frequency response measurement configuration**

As an example, the measured insertion loss magnitude for all channels of the IP3053CX10 are shown in [Figure 7](#).



**Fig 7. Measured insertion loss magnitude**

7.2 Crosstalk

The crosstalk measurement configuration of a typical 50 Ω NetWork Analyzer (NWA) system for evaluation of the IP3053CX5, IP3053CX10, IP3053CX15 and IP3053CX20 is shown in [Figure 8](#).

Four typical examples of crosstalk measurement results of IP3053CX20 are depicted. Unused channels are left open.

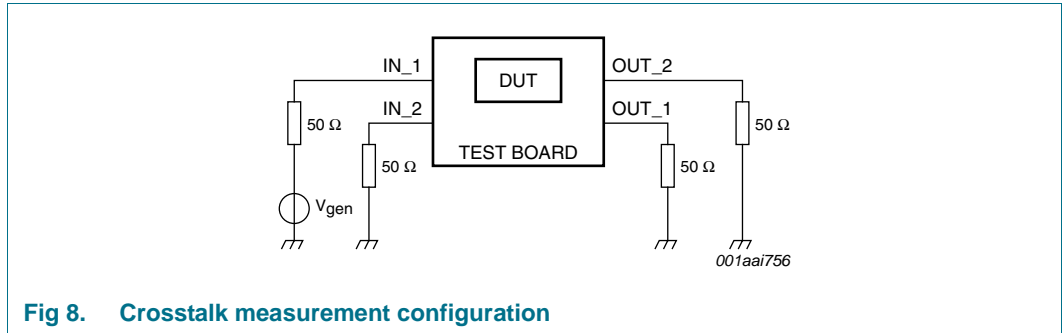


Fig 8. Crosstalk measurement configuration

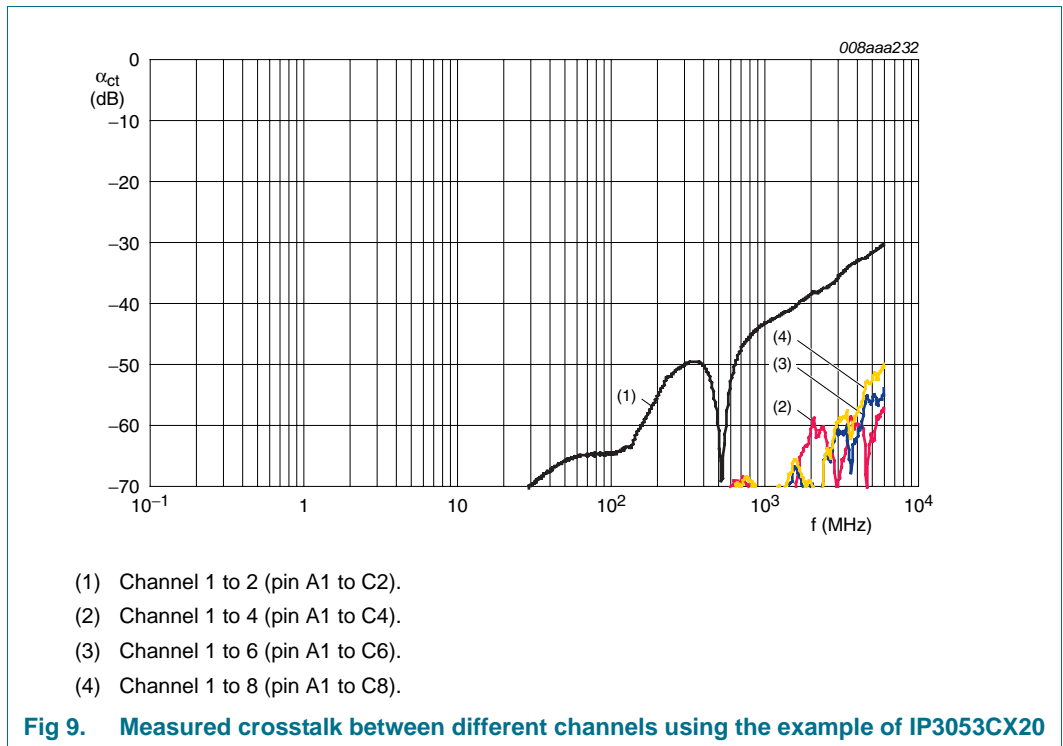


Fig 9. Measured crosstalk between different channels using the example of IP3053CX20

## 8. Package outline

WLCSP5: wafer level chip-size package; 5 bumps (2-1-2)

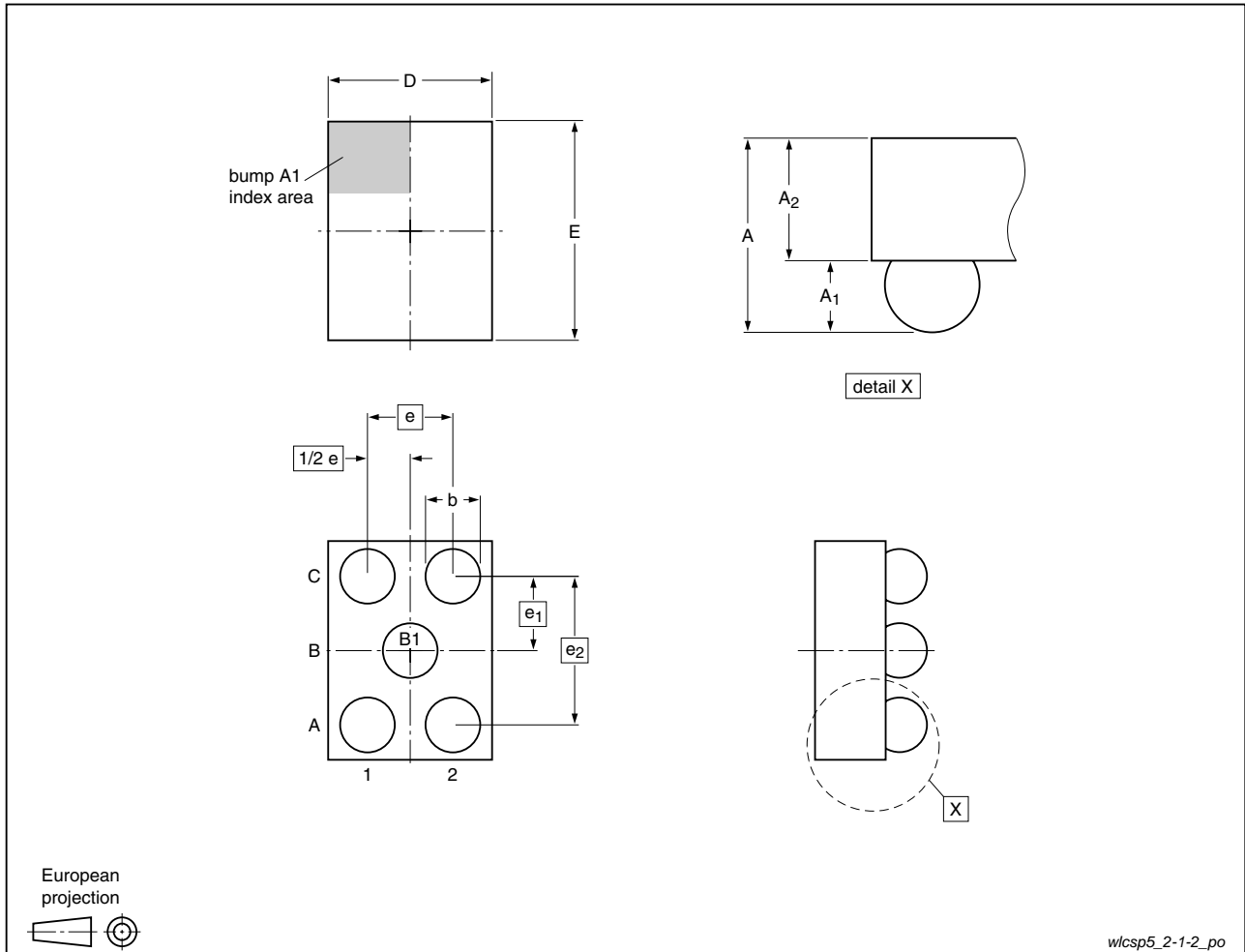


Fig 10. Package outline IP3053CX5 (WLCSP5)

Table 6. Dimensions for [Figure 10](#)

Symbol	Min	Typ	Max	Unit
A	0.60	0.65	0.70	mm
A <sub>1</sub>	0.22	0.24	0.26	mm
A <sub>2</sub>	0.38	0.41	0.44	mm
b	0.27	0.32	0.37	mm
D	0.91	0.96	1.01	mm
E	1.23	1.28	1.33	mm
e	-	0.5	-	mm
e <sub>1</sub>	-	0.435	-	mm
e <sub>2</sub>	-	0.87	-	mm

WLCSP10: wafer level chip-size package; 10 bumps (4-2-4)

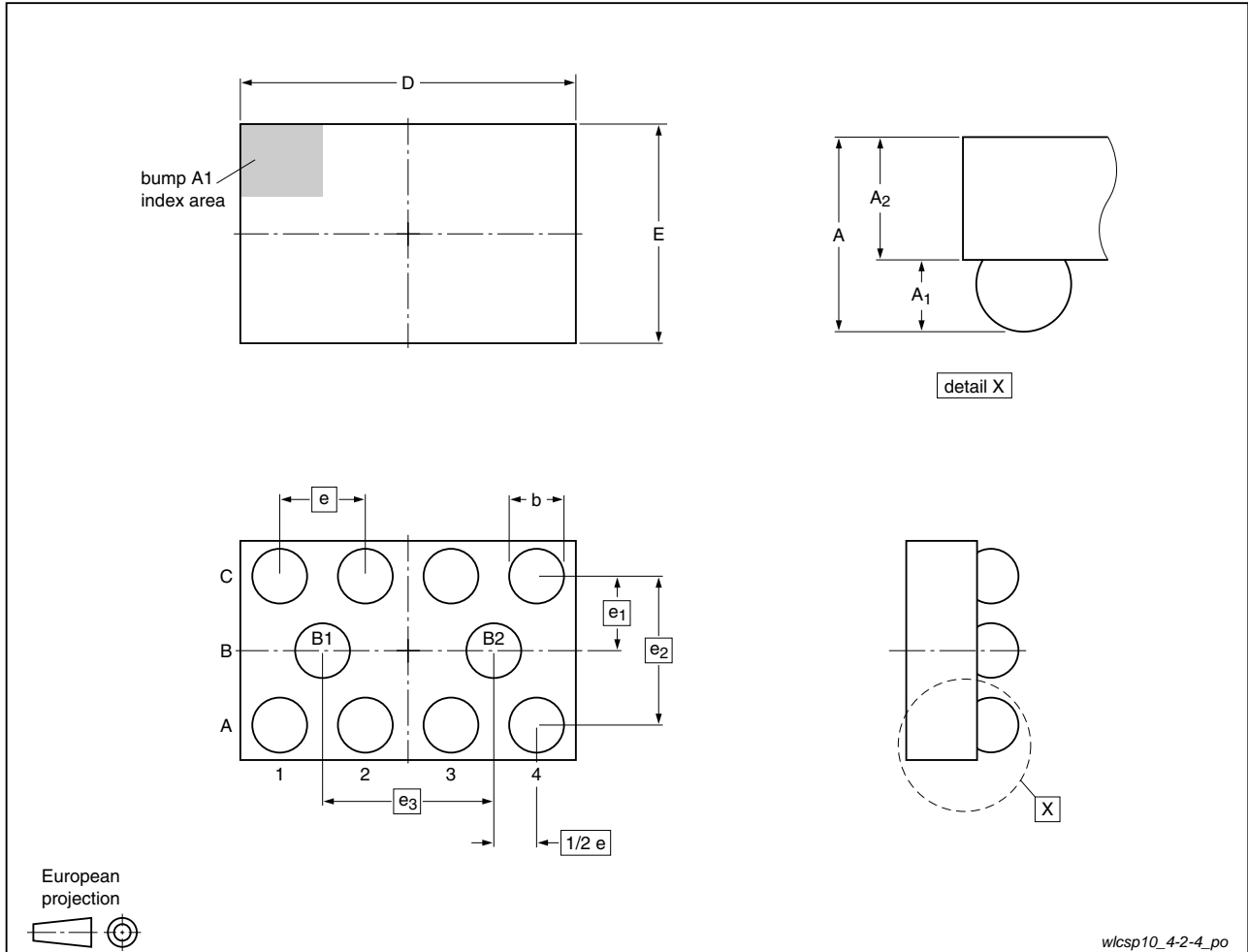


Fig 11. Package outline IP3053CX10 (WLCSP10)

Table 7. Dimensions for Figure 11

Symbol	Min	Typ	Max	Unit
A	0.60	0.65	0.70	mm
A <sub>1</sub>	0.22	0.24	0.26	mm
A <sub>2</sub>	0.38	0.41	0.44	mm
b	0.27	0.32	0.37	mm
D	1.91	1.96	2.01	mm
E	1.23	1.28	1.33	mm
e	-	0.5	-	mm
e <sub>1</sub>	-	0.433	-	mm
e <sub>2</sub>	-	0.866	-	mm
e <sub>3</sub>	-	1.0	-	mm



WLCSP15: wafer level chip-size package; 15 bumps (6-3-6)

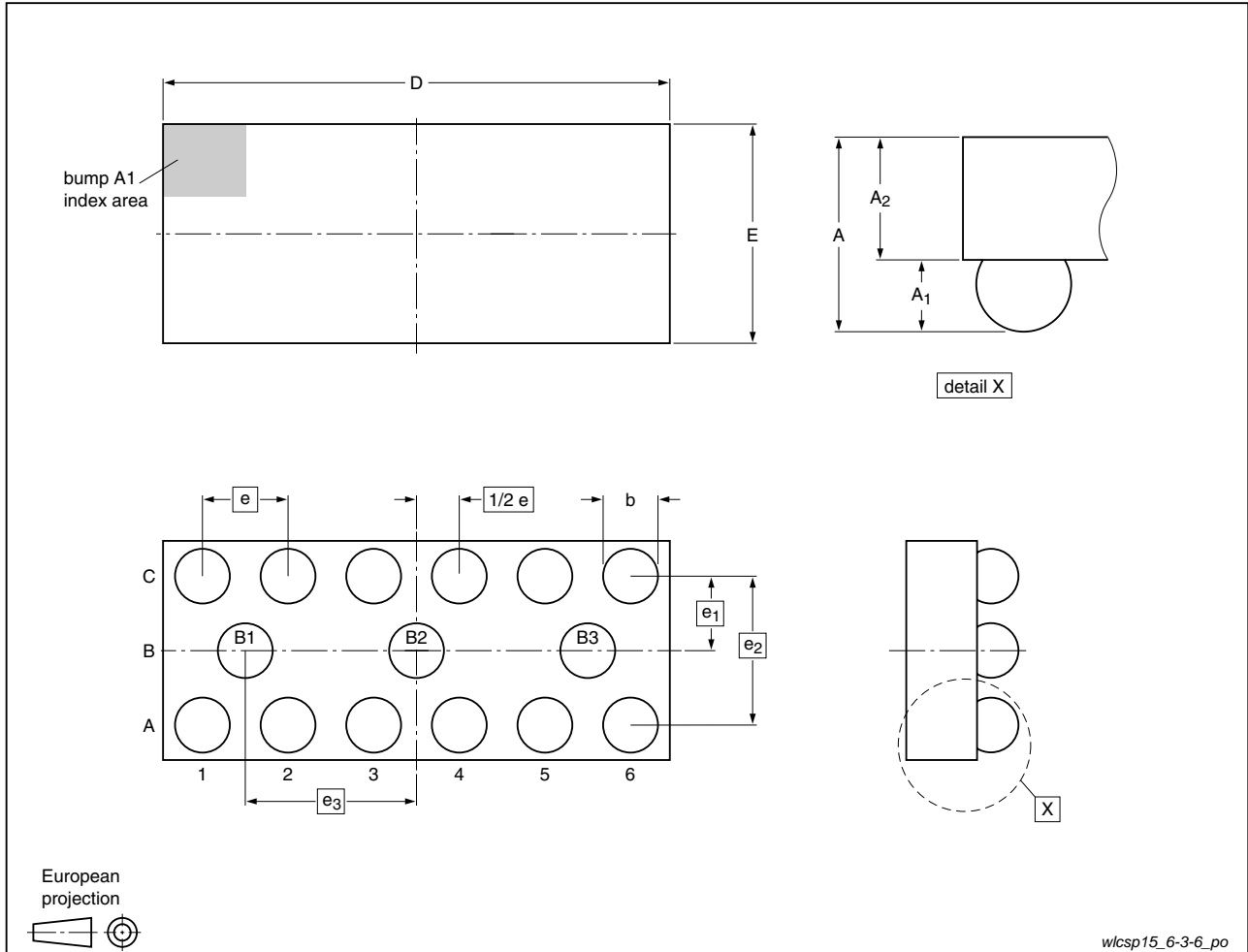


Fig 12. Package outline IP3053CX15 (WLCSP15)

Table 8. Dimensions for Figure 12

Symbol	Min	Typ	Max	Unit
A	0.60	0.65	0.70	mm
A <sub>1</sub>	0.22	0.24	0.26	mm
A <sub>2</sub>	0.38	0.41	0.44	mm
b	0.27	0.32	0.37	mm
D	2.91	2.96	3.01	mm
E	1.23	1.28	1.33	mm
e	-	0.5	-	mm
e <sub>1</sub>	-	0.433	-	mm
e <sub>2</sub>	-	0.866	-	mm
e <sub>3</sub>	-	1.0	-	mm

WLCSP20: wafer level chip-size package; 20 bumps (8-4-8)

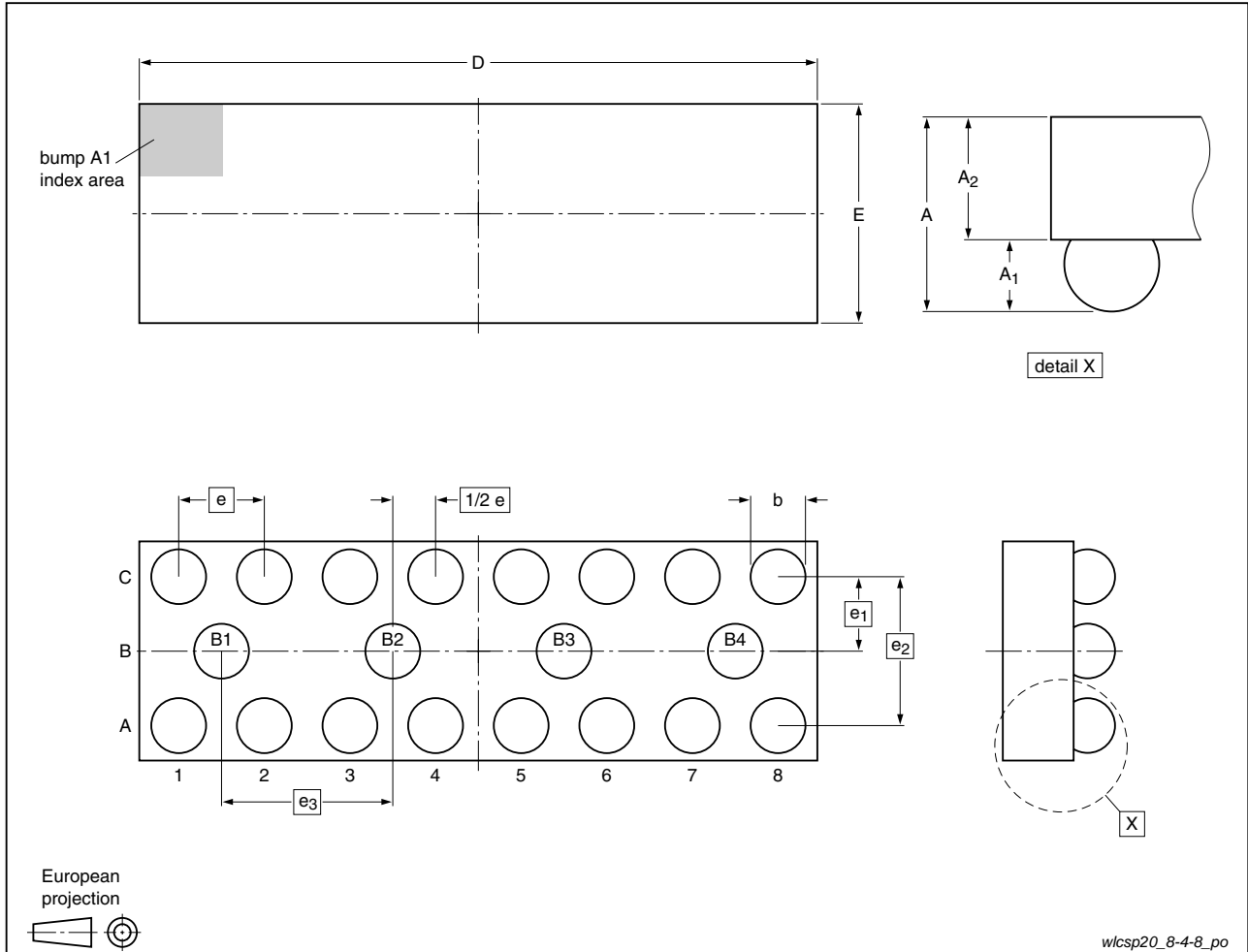


Fig 13. Package outline IP3053CX20 (WLCSP20)

Table 9. Dimensions for Figure 13

Symbol	Min	Typ	Max	Unit
A	0.60	0.65	0.70	mm
A <sub>1</sub>	0.22	0.24	0.26	mm
A <sub>2</sub>	0.38	0.41	0.44	mm
b	0.27	0.32	0.37	mm
D	3.91	3.96	4.01	mm
E	1.23	1.28	1.33	mm
e	-	0.5	-	mm
e <sub>1</sub>	-	0.433	-	mm
e <sub>2</sub>	-	0.866	-	mm
e <sub>3</sub>	-	1.0	-	mm

## 9. Design and assembly recommendations

### 9.1 PCB design guidelines

For optimum performance it is recommended to use a Non-Solder Mask PCB Design (NSMD), also known as a copper-defined design, incorporating laser-drilled micro-vias connecting the ground pads to a buried ground-plane layer. This results in the lowest possible ground inductance and provides the best high frequency and ESD performance. For this case, refer to [Table 10](#) for the recommended PCB design parameters.

**Table 10. Recommended PCB design parameters**

Parameter	Value or specification
PCB pad diameter	200 μm
Micro-via diameter	100 μm (0.004 inch)
Solder mask aperture diameter	370 μm
Copper thickness	20 μm to 40 μm
Copper finish	AuNi
PCB material	FR4

### 9.2 PCB assembly guidelines for Pb-free soldering

**Table 11. Assembly recommendations**

Parameter	Value or specification
Solder screen aperture diameter	330 μm
Solder screen thickness	100 μm (0.004 inch)
Solder paste: Pb-free	SnAg (3 % to 4 %) Cu (0.5 % to 0.9 %)
Solder to flux ratio	50 : 50
Solder reflow profile	see <a href="#">Figure 14</a>

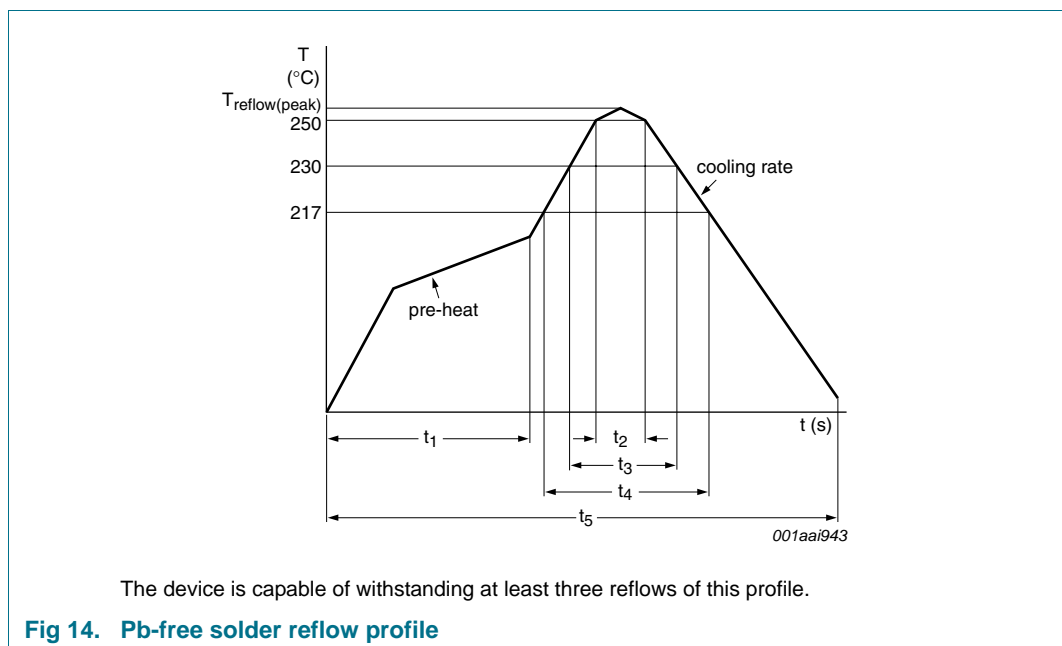


Table 12. Characteristics

Symbol	Parameter	Conditions	Min	Typ	Max	Unit
$T_{\text{reflow(peak)}}$	peak reflow temperature		230	-	260	°C
$t_1$	time 1	soak time	60	-	180	s
$t_2$	time 2	time during $T \geq 250$ °C	-	-	30	s
$t_3$	time 3	time during $T \geq 230$ °C	10	-	50	s
$t_4$	time 4	time during $T > 217$ °C	30	-	150	s
$t_5$	time 5		-	-	540	s
dT/dt	rate of change of temperature	cooling rate	-	-	-6	°C/s
		pre-heat	2.5	-	4.0	°C/s

## 10. Abbreviations

Table 13. Abbreviations

Acronym	Description
DUT	Device Under Test
EMI	ElectroMagnetic Interference
ESD	ElectroStatic Discharge
HBM	Human Body Model
LAN	Local Area Network
NWA	NetWork Analyzer
PCB	Printed-Circuit Board
PCS	Personal Communication System
PDA	Personal Digital Assistant
RFI	Radio Frequency Interference
RoHS	Restriction of Hazardous Substances
SIM	Subscriber Identity Module
WAN	Wide Area Network
WLCSP	Wafer-Level Chip-Scale Package

## 11. Revision history

Table 14. Revision history

Document ID	Release date	Data sheet status	Change notice	Supersedes
IP3053CX5_CX10_CX15_CX20_1	20100503	Product data sheet	-	-

## 12. Legal information

### 12.1 Data sheet status

Document status <sup>[1][2]</sup>	Product status <sup>[3]</sup>	Definition
Objective [short] data sheet	Development	This document contains data from the objective specification for product development.
Preliminary [short] data sheet	Qualification	This document contains data from the preliminary specification.
Product [short] data sheet	Production	This document contains the product specification.

[1] Please consult the most recently issued document before initiating or completing a design.

[2] The term 'short data sheet' is explained in section "Definitions".

[3] The product status of device(s) described in this document may have changed since this document was published and may differ in case of multiple devices. The latest product status information is available on the Internet at URL <http://www.nxp.com>.

### 12.2 Definitions

**Draft** — The document is a draft version only. The content is still under internal review and subject to formal approval, which may result in modifications or additions. NXP Semiconductors does not give any representations or warranties as to the accuracy or completeness of information included herein and shall have no liability for the consequences of use of such information.

**Short data sheet** — A short data sheet is an extract from a full data sheet with the same product type number(s) and title. A short data sheet is intended for quick reference only and should not be relied upon to contain detailed and full information. For detailed and full information see the relevant full data sheet, which is available on request via the local NXP Semiconductors sales office. In case of any inconsistency or conflict with the short data sheet, the full data sheet shall prevail.

**Product specification** — The information and data provided in a Product data sheet shall define the specification of the product as agreed between NXP Semiconductors and its customer, unless NXP Semiconductors and customer have explicitly agreed otherwise in writing. In no event however, shall an agreement be valid in which the NXP Semiconductors product is deemed to offer functions and qualities beyond those described in the Product data sheet.

### 12.3 Disclaimers

**Limited warranty and liability** — Information in this document is believed to be accurate and reliable. However, NXP Semiconductors does not give any representations or warranties, expressed or implied, as to the accuracy or completeness of such information and shall have no liability for the consequences of use of such information.

In no event shall NXP Semiconductors be liable for any indirect, incidental, punitive, special or consequential damages (including - without limitation - lost profits, lost savings, business interruption, costs related to the removal or replacement of any products or rework charges) whether or not such damages are based on tort (including negligence), warranty, breach of contract or any other legal theory.

Notwithstanding any damages that customer might incur for any reason whatsoever, NXP Semiconductors' aggregate and cumulative liability towards customer for the products described herein shall be limited in accordance with the *Terms and conditions of commercial sale* of NXP Semiconductors.

**Right to make changes** — NXP Semiconductors reserves the right to make changes to information published in this document, including without limitation specifications and product descriptions, at any time and without notice. This document supersedes and replaces all information supplied prior to the publication hereof.

**Suitability for use** — NXP Semiconductors products are not designed, authorized or warranted to be suitable for use in life support, life-critical or safety-critical systems or equipment, nor in applications where failure or

malfunction of an NXP Semiconductors product can reasonably be expected to result in personal injury, death or severe property or environmental damage. NXP Semiconductors accepts no liability for inclusion and/or use of NXP Semiconductors products in such equipment or applications and therefore such inclusion and/or use is at the customer's own risk.

**Applications** — Applications that are described herein for any of these products are for illustrative purposes only. NXP Semiconductors makes no representation or warranty that such applications will be suitable for the specified use without further testing or modification.

Customers are responsible for the design and operation of their applications and products using NXP Semiconductors products, and NXP Semiconductors accepts no liability for any assistance with applications or customer product design. It is customer's sole responsibility to determine whether the NXP Semiconductors product is suitable and fit for the customer's applications and products planned, as well as for the planned application and use of customer's third party customer(s). Customers should provide appropriate design and operating safeguards to minimize the risks associated with their applications and products.

NXP Semiconductors does not accept any liability related to any default, damage, costs or problem which is based on any weakness or default in the customer's applications or products, or the application or use by customer's third party customer(s). Customer is responsible for doing all necessary testing for the customer's applications and products using NXP Semiconductors products in order to avoid a default of the applications and the products or of the application or use by customer's third party customer(s). NXP does not accept any liability in this respect.

**Limiting values** — Stress above one or more limiting values (as defined in the Absolute Maximum Ratings System of IEC 60134) will cause permanent damage to the device. Limiting values are stress ratings only and (proper) operation of the device at these or any other conditions above those given in the Recommended operating conditions section (if present) or the Characteristics sections of this document is not warranted. Constant or repeated exposure to limiting values will permanently and irreversibly affect the quality and reliability of the device.

**Terms and conditions of commercial sale** — NXP Semiconductors products are sold subject to the general terms and conditions of commercial sale, as published at <http://www.nxp.com/profile/terms>, unless otherwise agreed in a valid written individual agreement. In case an individual agreement is concluded only the terms and conditions of the respective agreement shall apply. NXP Semiconductors hereby expressly objects to applying the customer's general terms and conditions with regard to the purchase of NXP Semiconductors products by customer.

**No offer to sell or license** — Nothing in this document may be interpreted or construed as an offer to sell products that is open for acceptance or the grant, conveyance or implication of any license under any copyrights, patents or other industrial or intellectual property rights.

**Export control** — This document as well as the item(s) described herein may be subject to export control regulations. Export might require a prior authorization from national authorities.

**Non-automotive qualified products** — Unless this data sheet expressly states that this specific NXP Semiconductors product is automotive qualified, the product is not suitable for automotive use. It is neither qualified nor tested in accordance with automotive testing or application requirements. NXP Semiconductors accepts no liability for inclusion and/or use of non-automotive qualified products in automotive equipment or applications.

In the event that customer uses the product for design-in and use in automotive applications to automotive specifications and standards, customer (a) shall use the product without NXP Semiconductors' warranty of the product for such automotive applications, use and specifications, and (b) whenever customer uses the product for automotive applications beyond

NXP Semiconductors' specifications such use shall be solely at customer's own risk, and (c) customer fully indemnifies NXP Semiconductors for any liability, damages or failed product claims resulting from customer design and use of the product for automotive applications beyond NXP Semiconductors' standard warranty and NXP Semiconductors' product specifications.

## 12.4 Trademarks

Notice: All referenced brands, product names, service names and trademarks are the property of their respective owners.

## 13. Contact information

For more information, please visit: <http://www.nxp.com>

For sales office addresses, please send an email to: [salesaddresses@nxp.com](mailto:salesaddresses@nxp.com)

## 14. Contents

<b>1</b>	<b>Product profile</b> . . . . .	<b>1</b>
1.1	General description . . . . .	1
1.2	Features and benefits . . . . .	1
1.3	Applications . . . . .	1
<b>2</b>	<b>Pinning information</b> . . . . .	<b>2</b>
2.1	Pinning . . . . .	2
2.2	Pin description . . . . .	2
<b>3</b>	<b>Ordering information</b> . . . . .	<b>3</b>
<b>4</b>	<b>Functional diagram</b> . . . . .	<b>3</b>
<b>5</b>	<b>Limiting values</b> . . . . .	<b>3</b>
<b>6</b>	<b>Characteristics</b> . . . . .	<b>4</b>
<b>7</b>	<b>Application information</b> . . . . .	<b>4</b>
7.1	Insertion loss . . . . .	4
7.2	Crosstalk . . . . .	6
<b>8</b>	<b>Package outline</b> . . . . .	<b>7</b>
<b>9</b>	<b>Design and assembly recommendations</b> . . . . .	<b>11</b>
9.1	PCB design guidelines . . . . .	11
9.2	PCB assembly guidelines for Pb-free soldering . . . . .	11
<b>10</b>	<b>Abbreviations</b> . . . . .	<b>12</b>
<b>11</b>	<b>Revision history</b> . . . . .	<b>12</b>
<b>12</b>	<b>Legal information</b> . . . . .	<b>13</b>
12.1	Data sheet status . . . . .	13
12.2	Definitions . . . . .	13
12.3	Disclaimers . . . . .	13
12.4	Trademarks . . . . .	14
<b>13</b>	<b>Contact information</b> . . . . .	<b>14</b>
<b>14</b>	<b>Contents</b> . . . . .	<b>15</b>

Please be aware that important notices concerning this document and the product(s) described herein, have been included in section 'Legal information'.

© NXP B.V. 2010.

All rights reserved.

For more information, please visit: <http://www.nxp.com>

For sales office addresses, please send an email to: [salesaddresses@nxp.com](mailto:salesaddresses@nxp.com)

Date of release: 3 May 2010

Document identifier: IP3053CX5\_CX10\_CX15\_CX20\_1